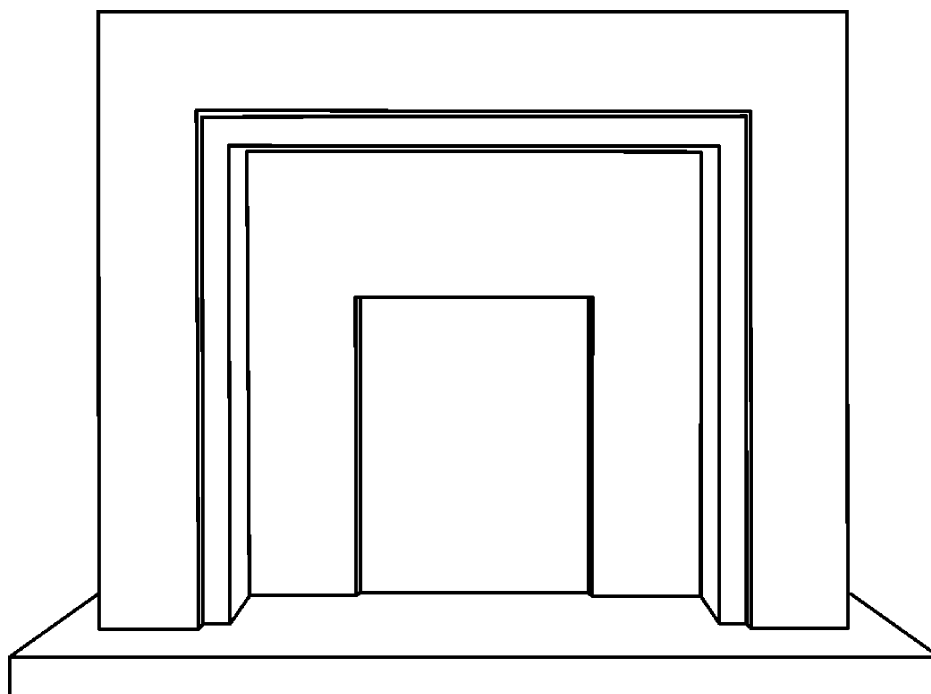


BAXI FIRES DIVISION

INSTALLATION GUIDE

Katrina

Stone Effect Surround and Hearth Set



**The surround and hearth set are suitable for electric heaters only.
Do NOT use with gas fires.**

**This guide should be read in conjunction with the installer and owner guides
supplied with the heater.**

This guide is intended to help you install your Stone Effect Surround and Hearth set.
Please read carefully before installing. However, if further information is required, our

Baxi Fires Division Technical Helpline will be pleased to help.

Telephone **08706 061 065** (National call rates apply in the United Kingdom)

In the Republic of Ireland call **0044 8706 061 065**.

Important: Please keep your guide in a safe place for future reference

INSTALLATION GUIDE

© Baxi Heating U.K. Limited 2006.

All rights reserved. No part of this publication may be reproduced in any material form (including photocopying), stored in any medium by electronic means (including in any retrieval system or database) or transmitted, in any form or by any means, whether electronic, mechanical, recording or otherwise, without the prior written permission of the copyright owner.

Applications for the copyright owner's permission to reproduce any part of this publication should be made, giving details of the proposed use, to the following address:
The Company Secretary, Baxi Heating UK Limited, Pentagon House, Sir Frank Whittle Road, Derby, DE21 4XA.

Warning: Any person who does any unauthorised act in relation to a copyright work may be liable to criminal prosecution and civil claims for damages.

If you require further assistance, the **Baxi Fires Division Technical Helpline** will be pleased to help.

Please telephone **08706 061 065** (local rates apply in the United Kingdom). In the Republic of Ireland please telephone **0044 8706 061 065**.

B A X I F I R E S D I V I S I O N

Baxi Fires Division, Erdington, Birmingham B24 9QP.

www.firesandstoves.co.uk

Because our policy is one of constant development and improvement, details may vary slightly from those given in this publication

INSTALLATION GUIDE

SAFETY

- The surround and hearth set are for use with electric heaters only. Do NOT use with gas fires.
- When drilling into brick work always wear safety goggles, a dust mask, and always work in a well ventilated area.
- Keep children clear of work area especially when assembling or moving the surround / mantle assembly.
- Always read the installer and owner guide supplied with the heater. This guide should be read in conjunction with those supplied with the heater.
- Always tidy loose electrical leads in the work area.
- Always switch off electric power when not needed.
- The surround must always be fixed into position.

HANDLING AND UNPACKING

Before continuing any further with the installation of this surround / mantle and hearth please read the following:

Important instructions.

- The approximate lifting weights of the surround / mantle and hearth are as below:

Surround / Mantle and Back Panel assembly	41.5 kg.
Hearth	11.0 kg.

- One person should be sufficient to lift the Hearth. The Surround / Mantle and Back Panel assembly is heavy and we recommend that two people lift it. If for any reason the weight of either is considered too heavy then obtain assistance.
- When lifting always keep your back straight. Bend your legs and not your back.
- Avoid twisting at the waist. It is better to reposition your feet.
- Avoid upper body / top heavy bending. Always bend from the knees rather than the waist. Do not lean forward or sideways whilst handling.
- Always grip with the palm of the hand. Do not use the tips of fingers for support.
- Always keep the Surround / Mantle and Hearth as close to the body as possible. This will minimise the cantilever action.
- Use gloves to provide additional grip.
- Always use assistance if required.

INSTALLATION GUIDE

CONTENTS

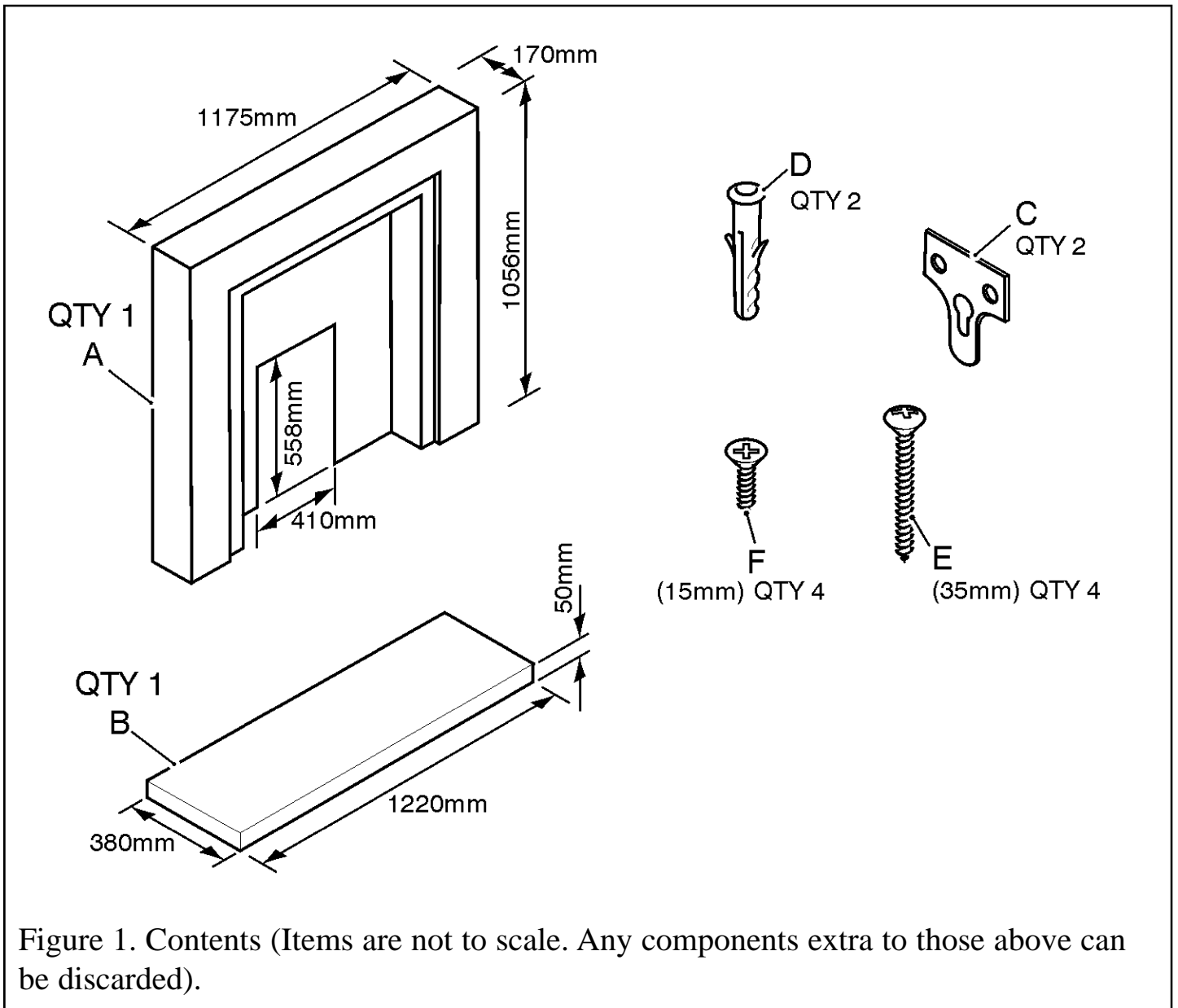


Figure 1. Contents (Items are not to scale. Any components extra to those above can be discarded).

INSTALLATION GUIDE

ASSEMBLING THE SURROUND AND HEARTH

- The surround / mantle does not have a rebate. When fitted to a flat wall without an opening the spacer frame supplied with the heater will be required.
- The electric heater can be recessed where there is a minimum 75mm deep opening in the wall behind the surround. The minimum opening dimensions are 555mm high x 390mm wide.

The installation of this Surround / Mantle and Hearth requires a reasonable level of DIY skills.

Please read this guide thoroughly before commencing installation and if in doubt, seek help from a competent person.

Do I need any tools?

You will need the following tools :

- A Pozidrive / Phillips / cross head screwdriver. This should have a number 2 size tip.
- If drilling into brick work you will need a power drill (preferably with hammer action) and appropriate size drill bit for the wall plugs supplied.

How to assemble the Surround / Mantle and Hearth.

Step 1

- Lay the surround (A) onto a smooth, flat, clean surface with the inside facing upward. Place wall fixing brackets (C) 50mm from the top outside edge of the legs as shown in figure 2. Ensure that the two fixing holes in the brackets are positioned in the centre of the outside edge of the leg. The wood may split if the fixing holes are not central. Secure in place using four screws (F). Guide holes may already be in place.

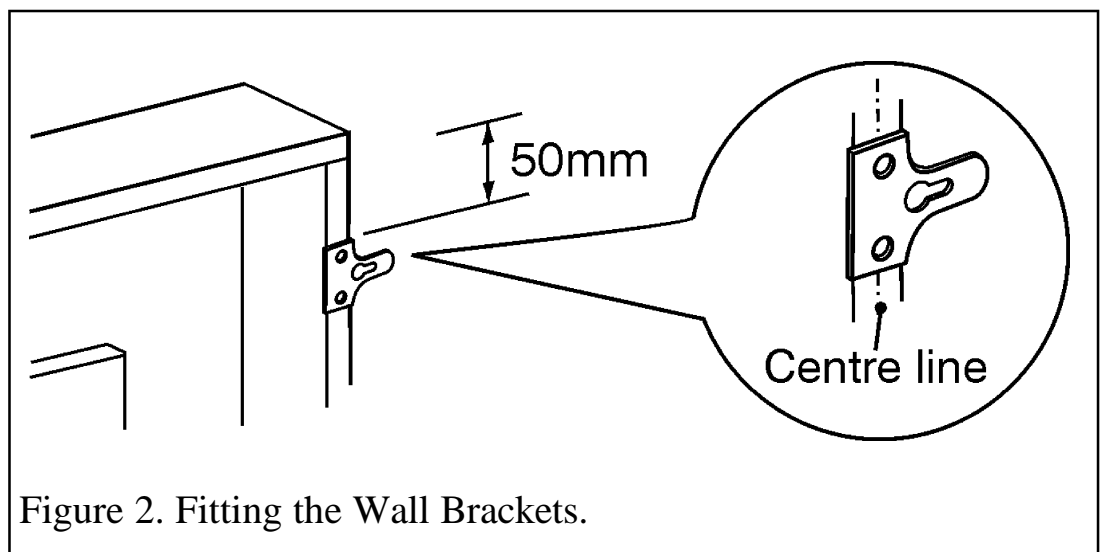


Figure 2. Fitting the Wall Brackets.

INSTALLATION GUIDE

Step 2

- Lay the Hearth (B) on the floor. Stand the Surround / Mantle (A) on top of the Hearth. Position the Surround / Mantle so that it is central to the Hearth and the rear of the Surround / Mantle legs are flush with the back of the Hearth.
- Secure the Surround / Mantle to the Hearth using two screws (E) through the holes in the Surround / Mantle sides (See figure 3).

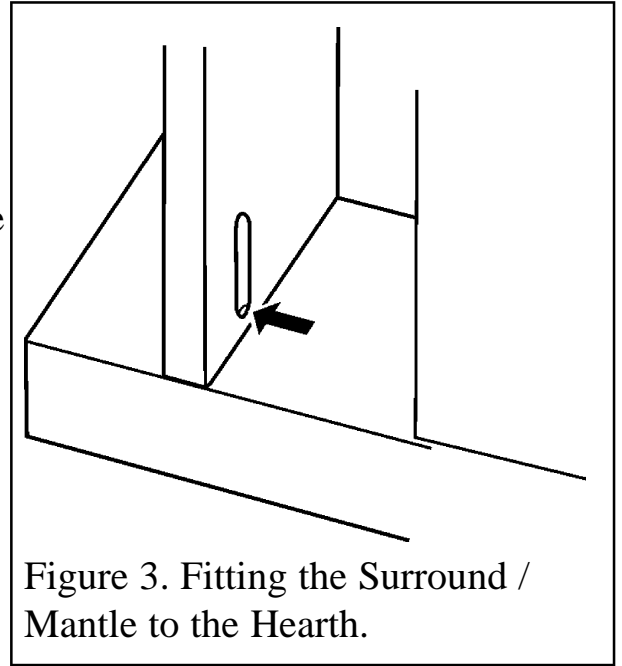


Figure 3. Fitting the Surround / Mantle to the Hearth.

Step 3

- Carefully move the Surround / Mantle and Back Panel into place. Mark the positions of the bracket holes on the wall. Move the assembly aside and drill suitable sized holes. Insert the wall plugs (D). Position the Surround / Mantle and Back Panel into position and secure using two screws (E) as shown in figure 3.

Note: The wall plugs are only suitable for brick or block walls. For timber framed walls covered in plaster board we recommend the use of heavy duty cavity fixings.